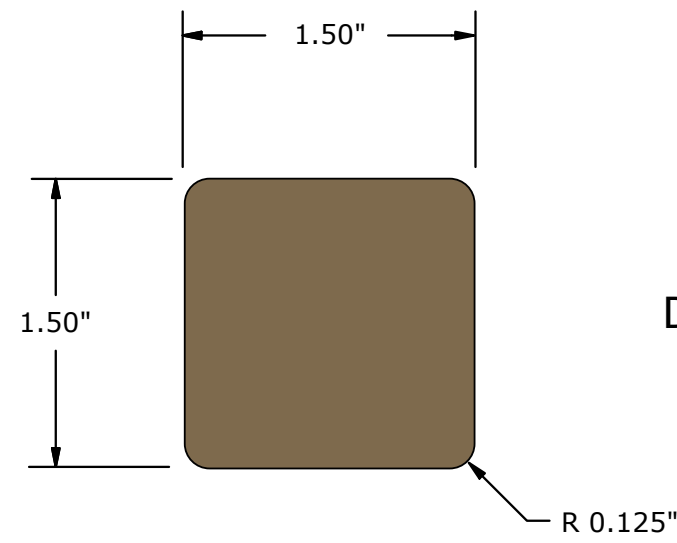


Dimensionals

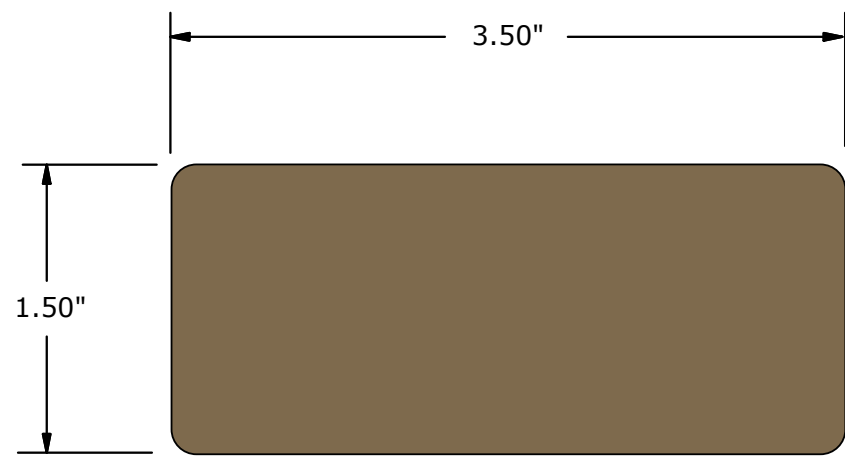
Standard sizes:

- 1 x 2 (net 0.75" x 1.50")
- 1 x 4 (net 0.75" x 3.50") *shown*
- 1 x 6 (net 0.75" x 5.50") *shown*
- 1 x 8 (net 0.75" x 7.50")
- 5/4 x 4 (net 1.00" x 3.50") *shown*
- 5/4 x 6 (net 1.00" x 5.50") *shown*
- 2 x 2 (net 1.50" x 1.50") *shown*
- 2 x 4 (net 1.50" x 3.50") *shown*
- 2 x 6 (net 1.50" x 5.50") *shown*

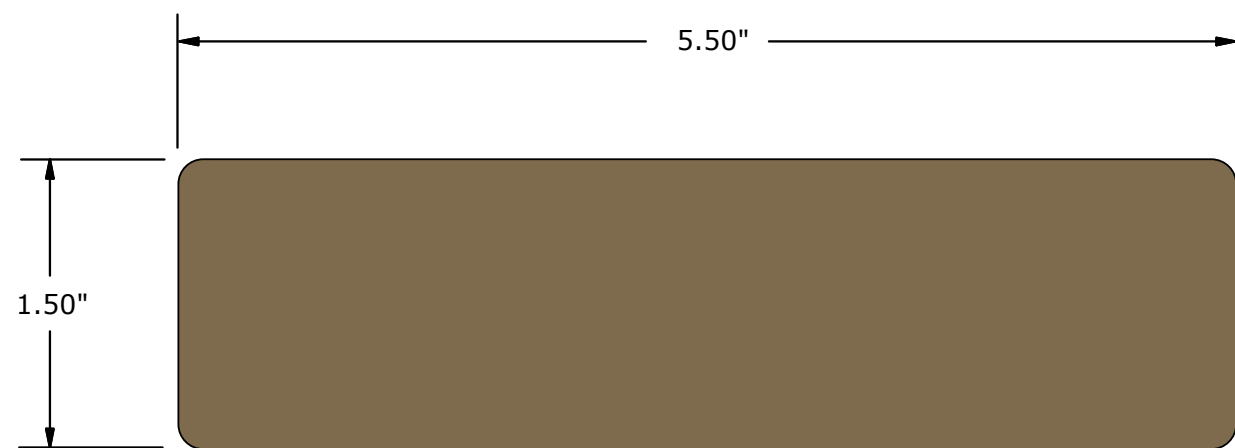
Custom sizes and profiles available upon request.



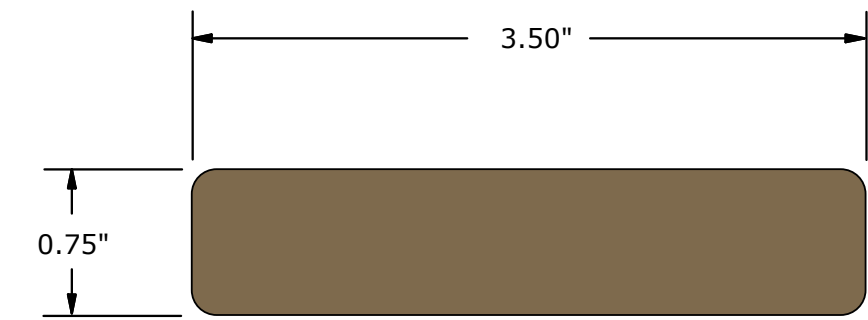
D-82-000



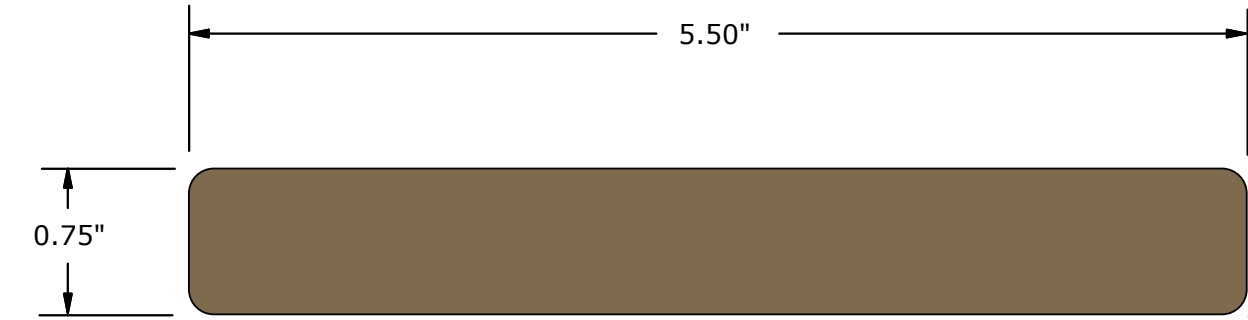
D-84-000



D-86-000



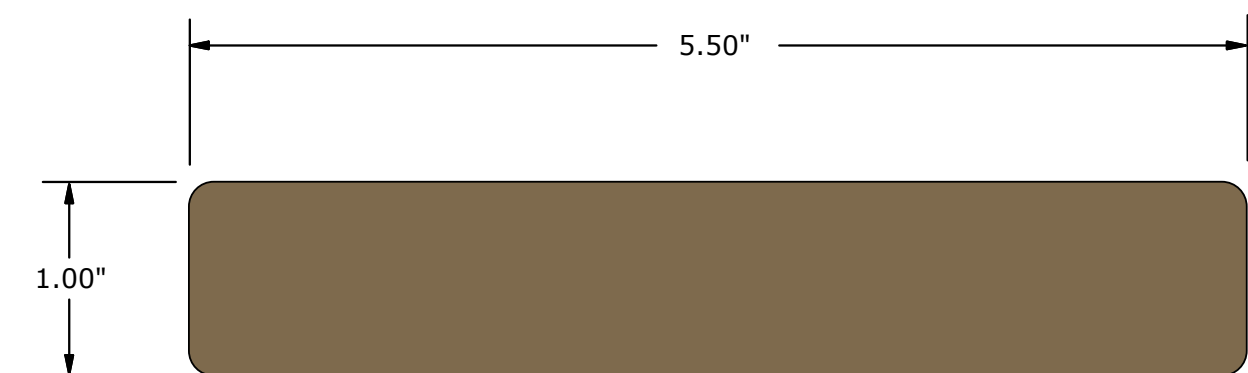
D-44-000



D-46-000

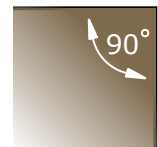


D-54-000




D-56-000

Variations




D-XX-001

Available in:
All sizes



D-4X-002

Available in:
1" sizes only




D-4X-003

Available in:
1" sizes only

NOTES: UNLESS OTHERWISE SPECIFIED

- 1) MATERIAL: THERMALLY-MODIFIED HARDWOOD
- 2) FINISHED LENGTHS: 6' TO 12' AS DEVELOPS, MAX 5% 3/4'/5' NESTED
- 3) SOUND KNOTS MAX 0.50" DIAMETER PERMITTED; NO OPEN KNOTS ON THE SOUND FACE

Code	Description
D-XX-000	Eased 4 Edge 0.125" radius
D-XX-001	Square 4 Edge 90 degree
D-4X-002	Eased 4 Edge 0.063" radius
D-4X-003	Microbevel 0.063"

		TITLE	
D-XX-00X			
DRAWN: LMP		08/12/2024	
TOLERANCE:		SIZE	DWG NO
X.XXX (+/- .03125")	ANG (+/- 1DEG)		
X.XX (+/- .0625")	FRAC (+/- 1/32")		
ALL DIMENSIONS IN INCHES			
			REV 7
			SHEET 1 OF 1

Rainscreen / Siding

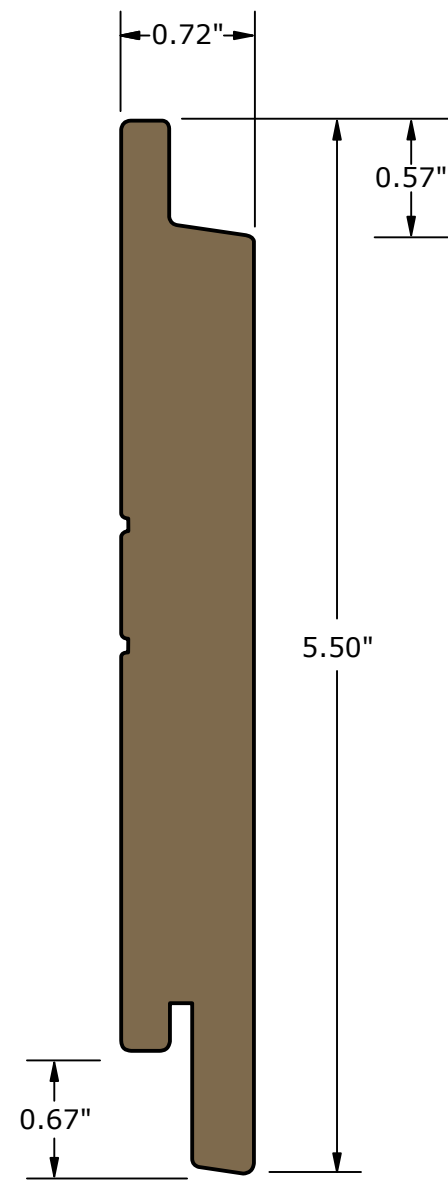
Standard sizes:

1 x 4 (net 0.75" x 3.50")

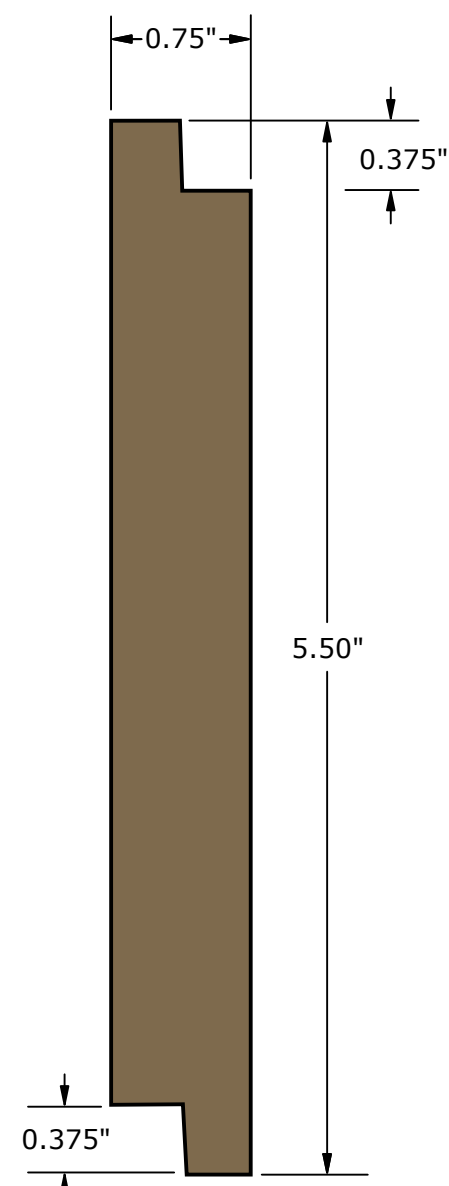
1 x 6 (net 0.75" x 5.50") *shown*

1 x 8 (net 0.75" x 7.50")

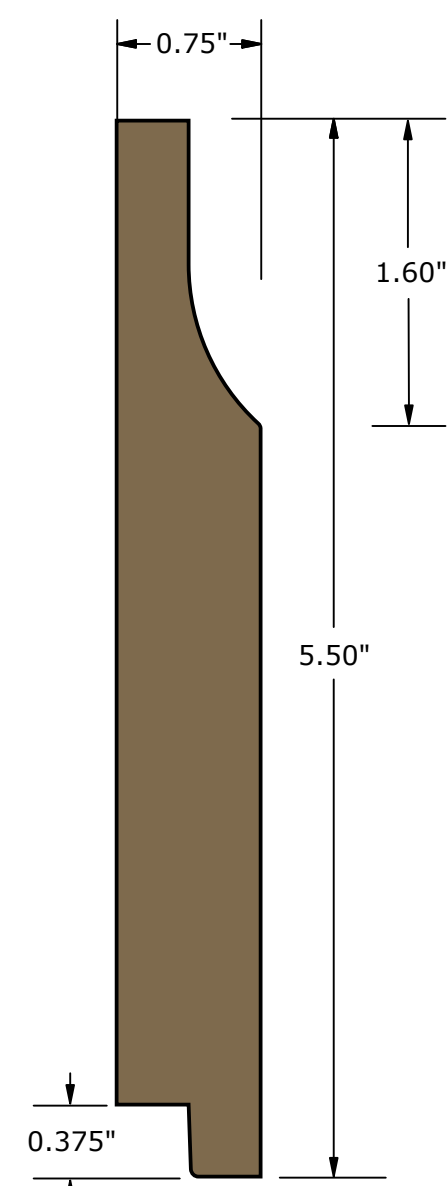
Custom sizes and profiles available upon request.



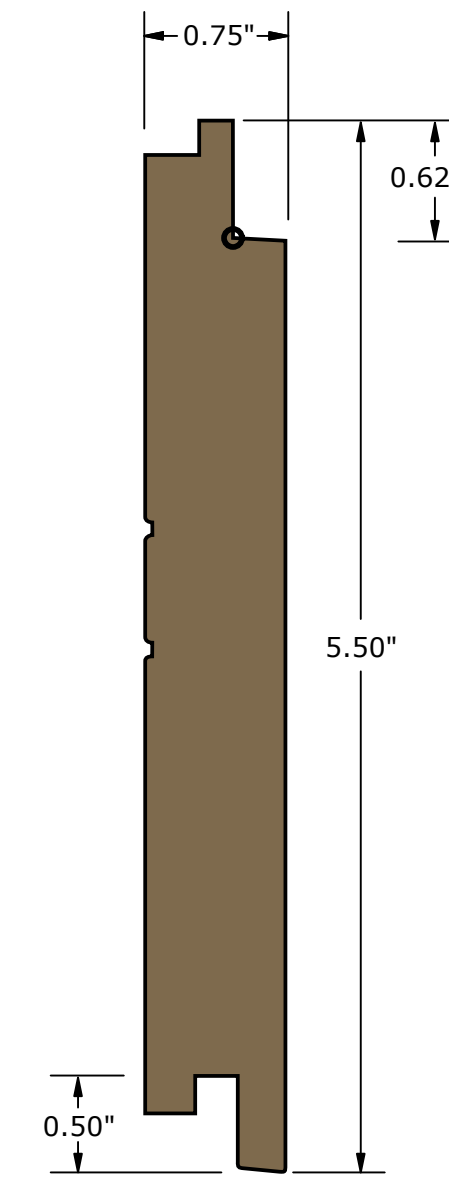
R-46-000



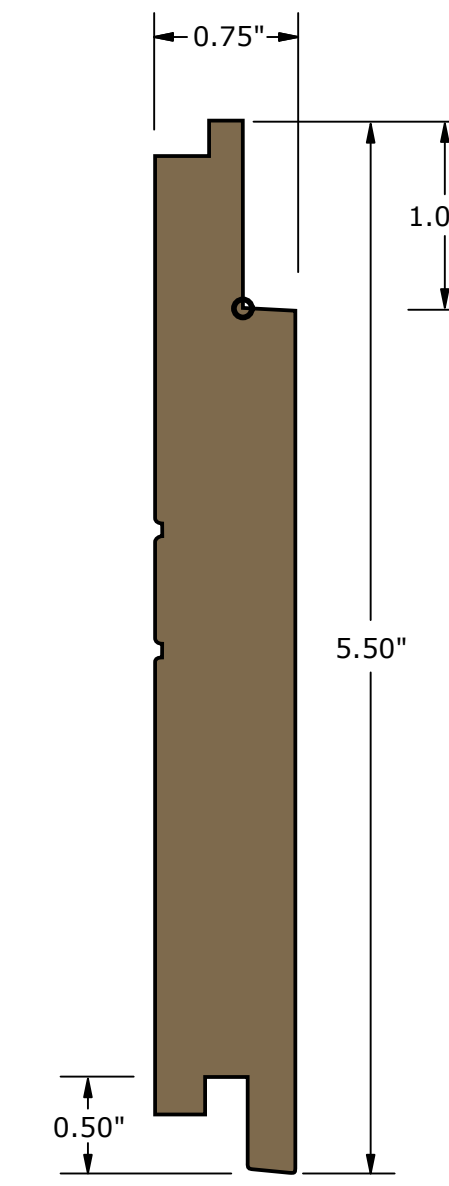
S-46-000



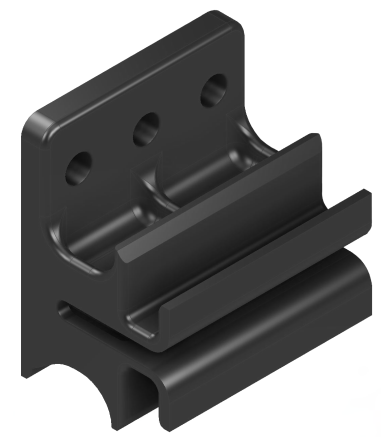
S-46-014



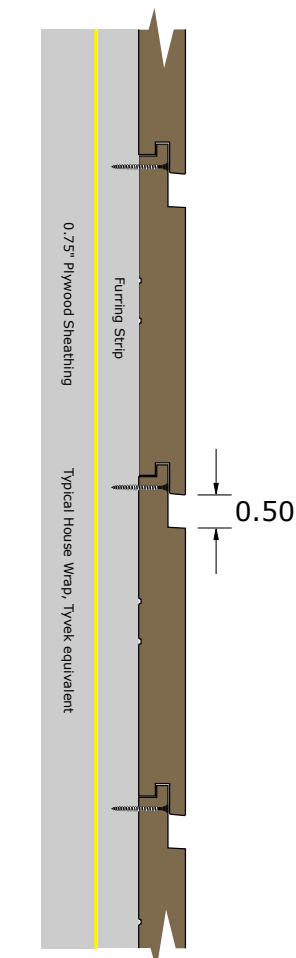
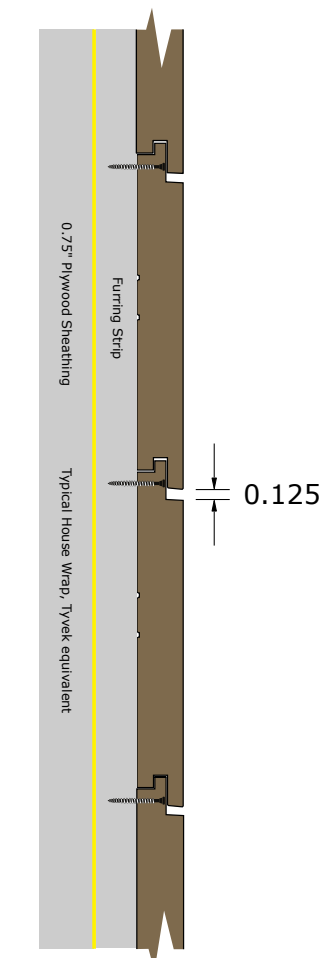
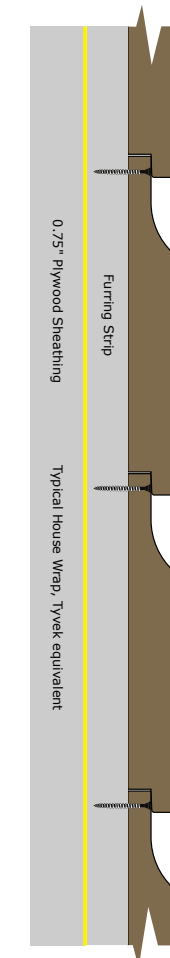
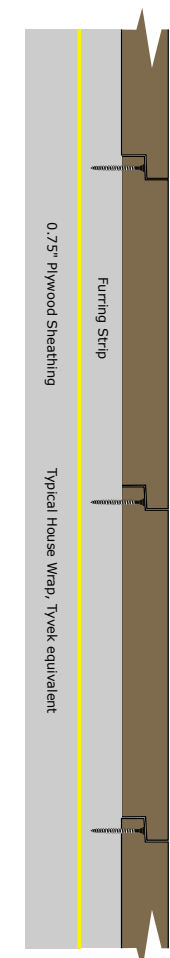
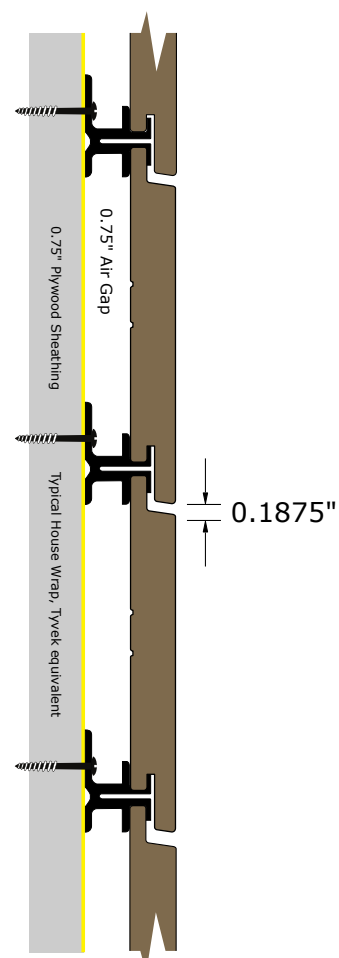
S-46-005



S-46-006



Nova ExoClad QuickClip Rainscreen Siding System



Square End Match (*optional**)



** Not available on some profiles.*

NOTES: UNLESS OTHERWISE SPECIFIED

1) MATERIAL: THERMALLY-MODIFIED HARDWOOD

2) FINISHED LENGTHS: 6' TO 12' AS DEVELOPS

3) SOUND KNOTS MAX 0.50" DIAMETER PERMITTED; NO OPEN KNOTS ON THE SOUND FACE

Rainscreen / Siding (R, S)		
Code	Description	Reveal
R-XX-000	ExoClad Rainscreen	Nominal minus 1.000"
S-XX-000	Shiplap	Nominal minus 0.875"
S-XX-014	German Shiplap	Nominal minus 0.875"
S-XX-005	Tex Nickel Gap	Nominal minus 1.000"
S-XX-006	Tex Half Gap	Nominal minus 1.000"



DRAWN: LMP 08/12/2024

TOLERANCE:
X.XXX (+/- .03125") ANG (+/- 1 DEG)
X.XX (+/- .0625") FRAC (+/- 1/32")

ALL DIMENSIONS IN INCHES

TITLE

R/S-4X-0XX

SIZE

DWG NO

REV

7

SHEET 1 OF 1

Decking

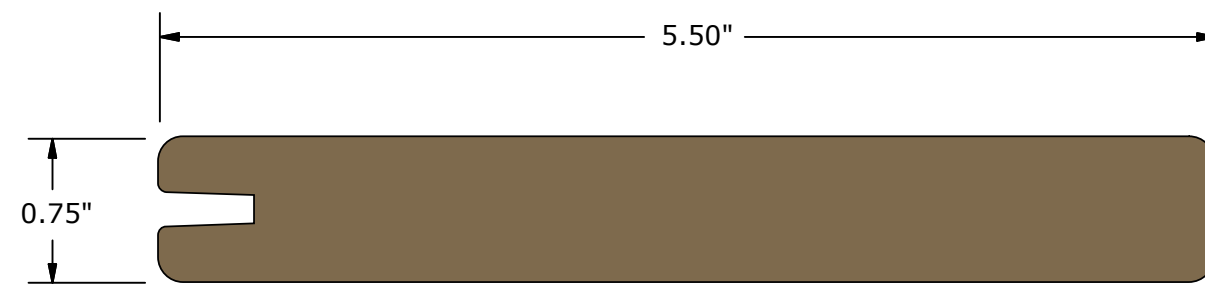


DeckWise® ThermoClip™ compatible

Standard sizes:

1 x 4 (net 0.75" x 3.50")

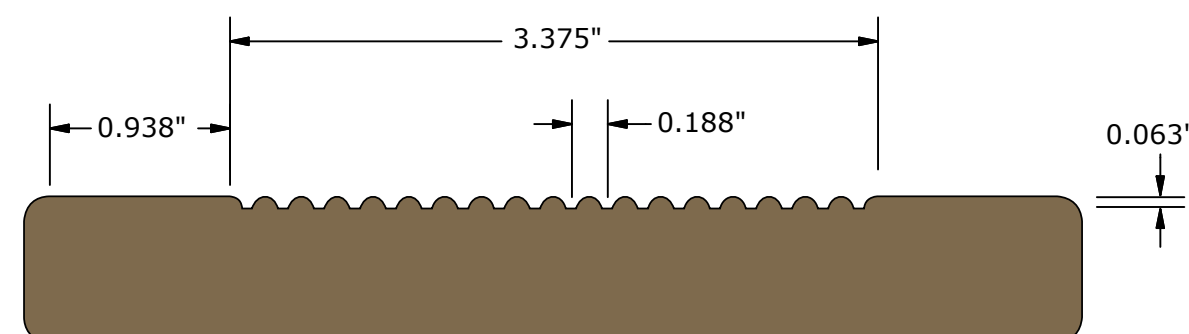
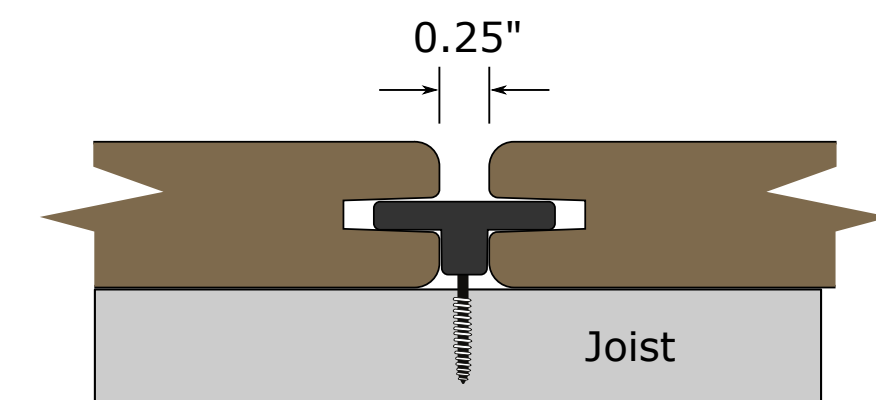
1 x 6 (net 0.75" x 5.50") *shown*



K-46-001



K-46-002

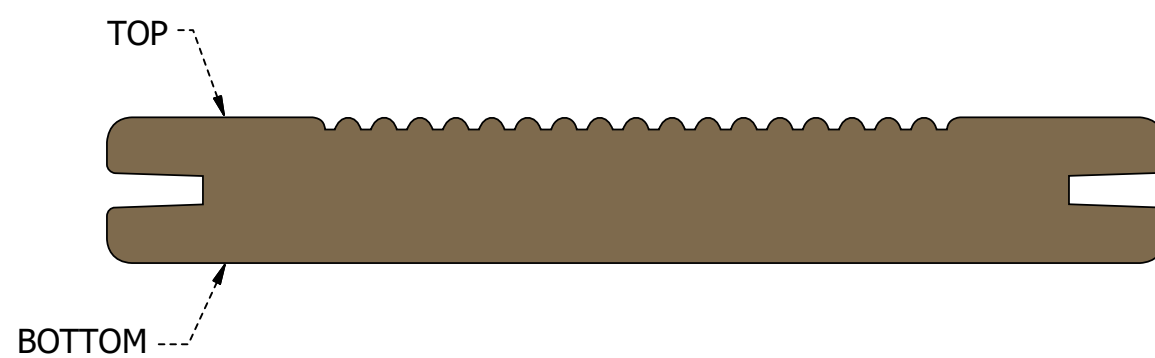


K-46-003



K-46-004

Structural End Match *(optional)*



K-46-005

NOTES: UNLESS OTHERWISE SPECIFIED

- 1) MATERIAL: THERMALLY-MODIFIED HARDWOOD
- 2) FINISHED LENGTHS: 6' TO 12' AS DEVELOPS, MAX 5% 3/4'/5' NESTED
- 3) SOUND KNOTS MAX 0.50" DIAMETER PERMITTED; NO OPEN KNOTS ON THE SOUND FACE
- 4) GROOVES COMPATIBLE WITH DECKWISE THERMOCLIP SYSTEM

Code	Description
K-46-001	ExtremeKD Groove one edge
K-46-002	ExtremeKD Groove & Groove
K-46-003	No Grooves Combed
K-46-004	ExtremeKD Groove one edge, Combed
K-46-005	ExtremeKD Groove & Groove, Combed
K-46-00X-EM	with Structural End Match <i>(optional)</i>

		TITLE	
DRAWN: LMP 08/12/2024		K-46-00X	
TOLERANCE: X.XXX (+/- .03125") ANG(+/- 1DEG) X.XX (+/- .0625") FRAC(+/- 1/32")		SIZE	DWG NO
ALL DIMENSIONS IN INCHES			REV 7
			SHEET 1 OF 1

Decking

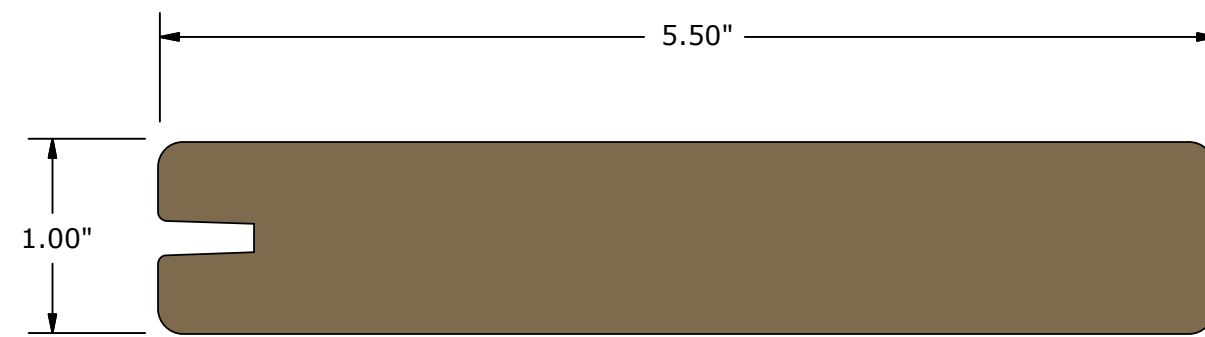


DeckWise® ThermoClip™ compatible

Available in:

5/4 x 4 (net 1.00" x 3.50")

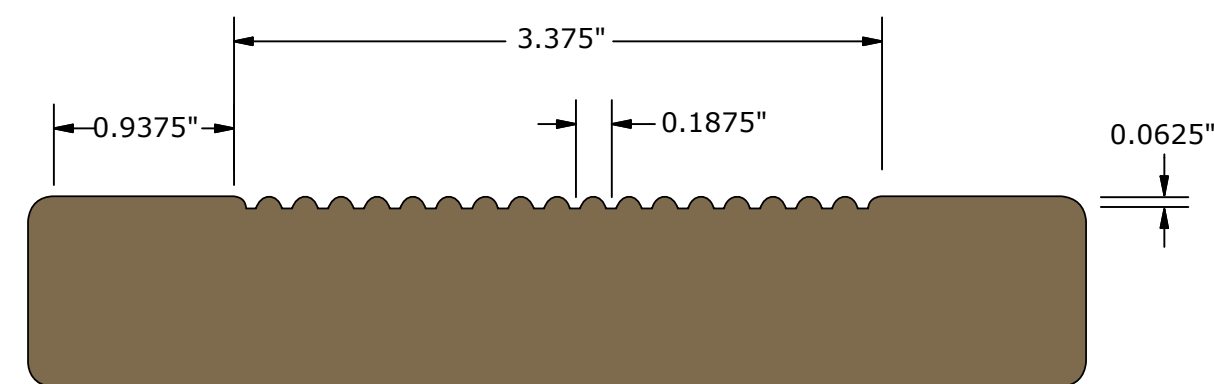
5/4 x 6 (net 1.00" x 5.50") *shown*



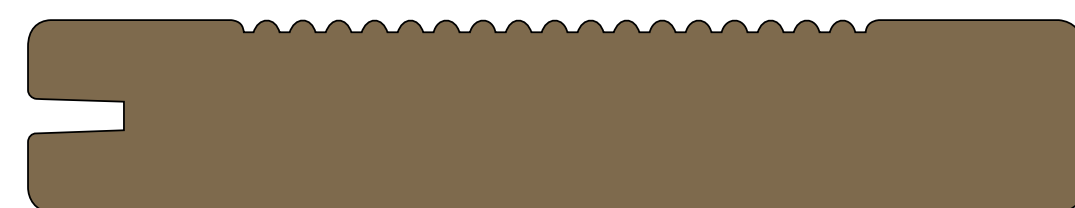
K-56-001



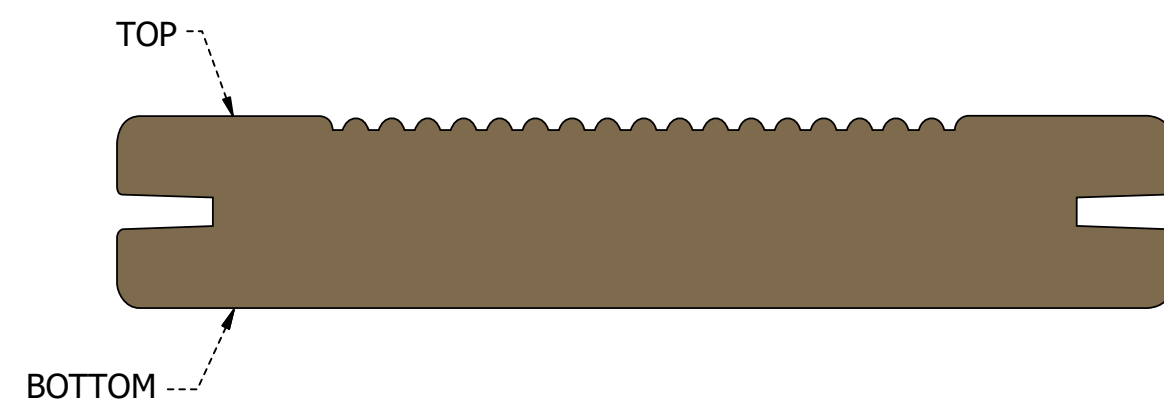
K-56-002



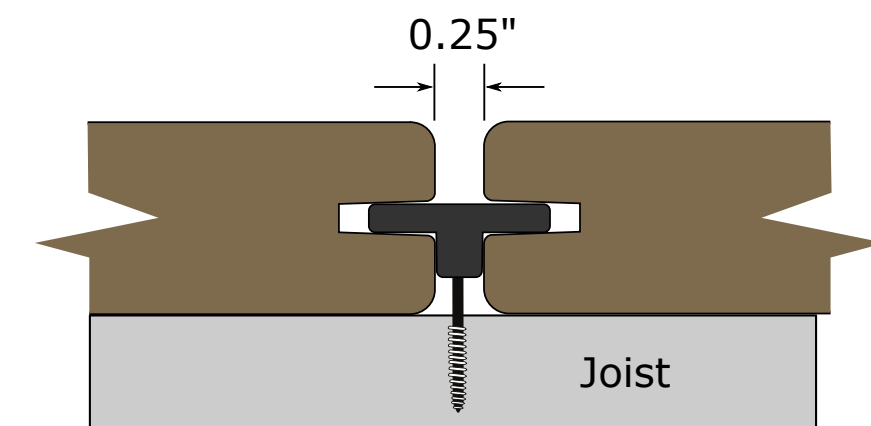
K-56-003



K-56-004



K-56-005



Structural End Match (*optional*)



NOTES: UNLESS OTHERWISE SPECIFIED

- 1) MATERIAL: THERMALLY-MODIFIED HARDWOOD
- 2) FINISHED LENGTHS: 6' TO 12' AS DEVELOPS, MAX 5% 3/4'/5' NESTED
- 3) SOUND KNOTS MAX 0.50" DIAMETER PERMITTED; NO OPEN KNOTS ON THE SOUND FACE
- 4) GROOVES COMPATIBLE WITH DECKWISE THERMOCLIP SYSTEM

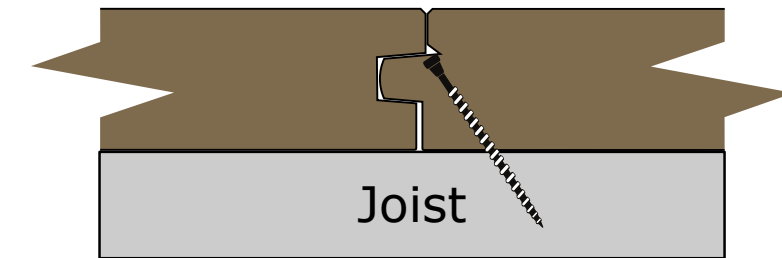
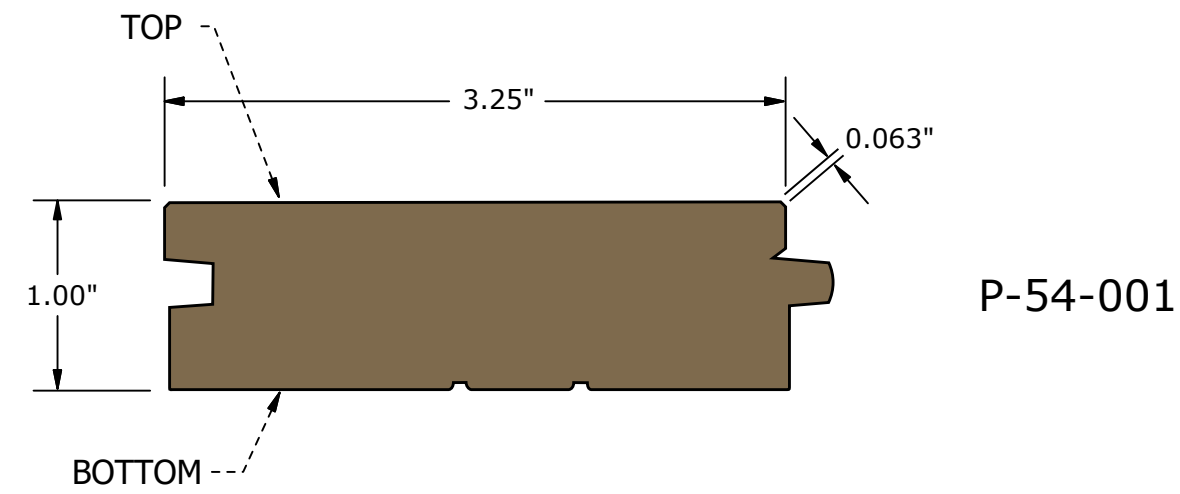
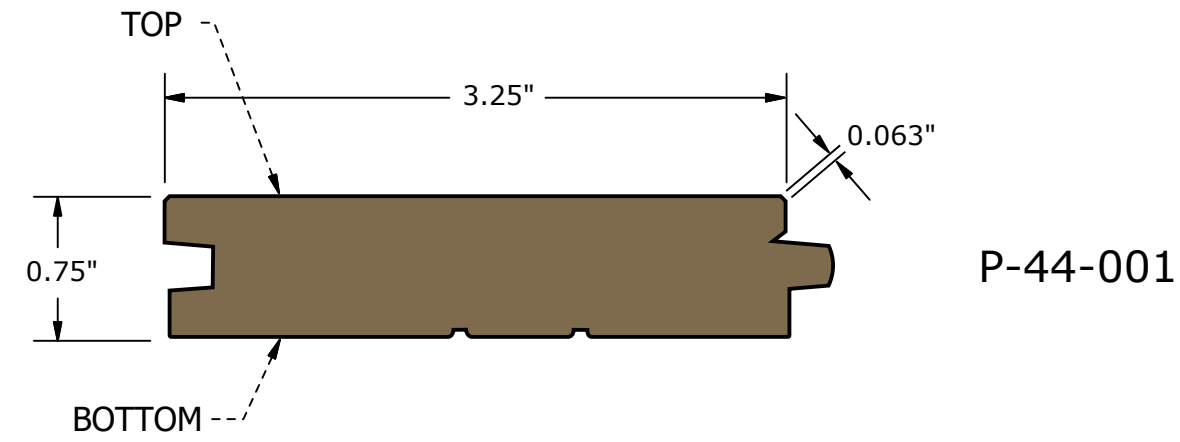
Code	Description
K-56-001	ExtremeKD Groove one edge
K-56-002	ExtremeKD Groove & Groove
K-56-003	No Grooves Combed
K-56-004	ExtremeKD Groove one edge, Combed
K-56-005	ExtremeKD Groove & Groove, Combed
K-56-00X-EM	with Structural End Match (<i>optional</i>)

		TITLE	
THERMALLY MODIFIED HARDWOOD		K-56-00X	
DRAWN: LMP	08/12/2024	SIZE	DWG NO
TOLERANCE: X.XXX (+/- .03125") ANG(+/- 1DEG) X.XX (+/- .0625") FRAC(+/- 1/32")			REV
ALL DIMENSIONS IN INCHES			7
			SHEET 1 OF 1

Porch Flooring

Standard sizes:


- 1 x 3 (net 0.75" x 2.25" face)
- 1 x 4 (net 0.75" x 3.25" face) *shown*
- 5/4 x 3 (net 1.00" x 2.25" face)
- 5/4 x 4 (net 1.00" x 3.25" face) *shown*



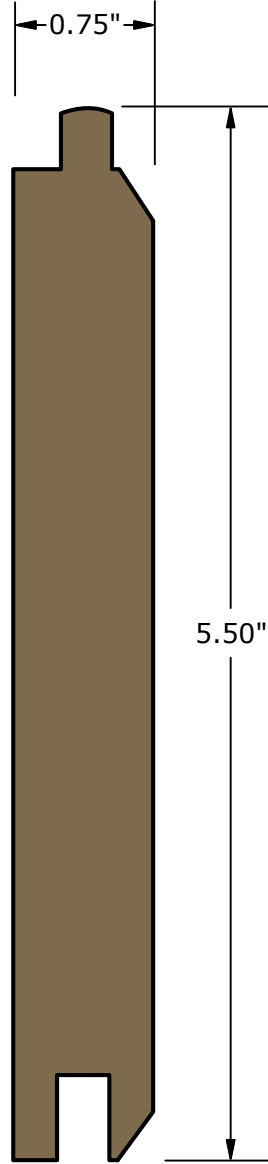
NOTES: UNLESS OTHERWISE SPECIFIED

- 1) MATERIAL: THERMALLY-MODIFIED HARDWOOD
- 2) FINISHED LENGTHS: 6' TO 12' AS DEVELOPS, MAX 5% 3/4"/5' NESTED
- 3) SOUND KNOTS MAX 0.50" DIAMETER PERMITTED; NO OPEN KNOTS ON THE SOUND FACE

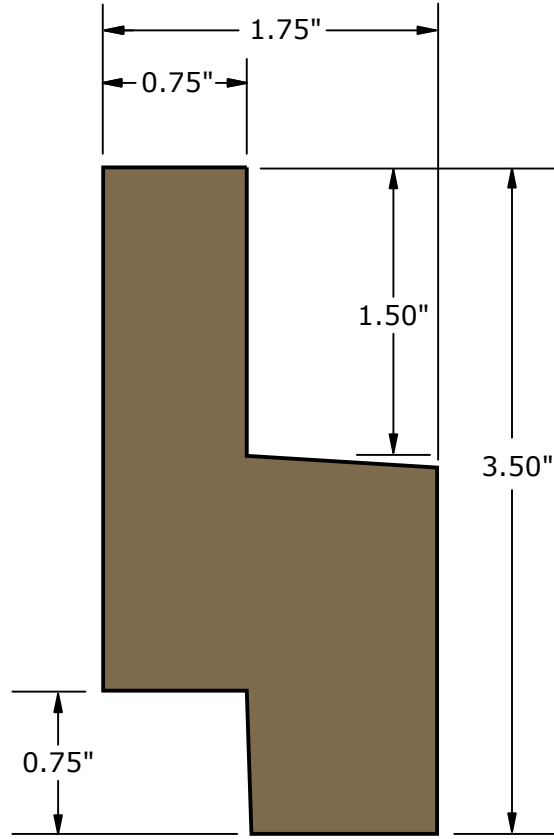
Code	Description
P-XX-001	Tongue & Groove Microbevel
P-XX-00X-EM	with Square End Match (<i>optional</i>)

		TITLE	
		P-X4-00X	
DRAWN: LMP	08/12/2024	SIZE	DWG NO
TOLERANCE:			REV
X.XXX (+/- .03125")	ANG(+/- 1DEG)		7
X.XX (+/- .0625")	FRAC(+/- 1/32")		
ALL DIMENSIONS IN INCHES			SHEET 1 OF 1

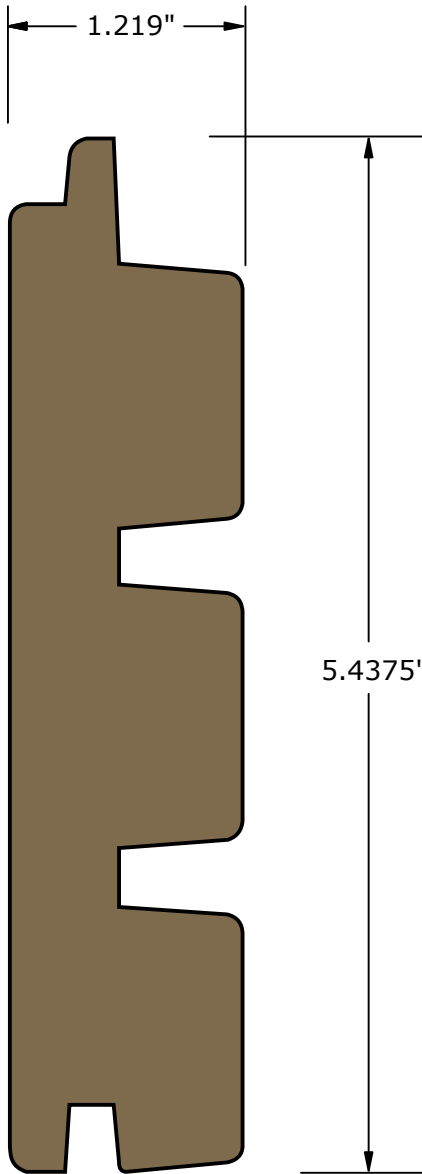
Architectural Walls and Ceilings



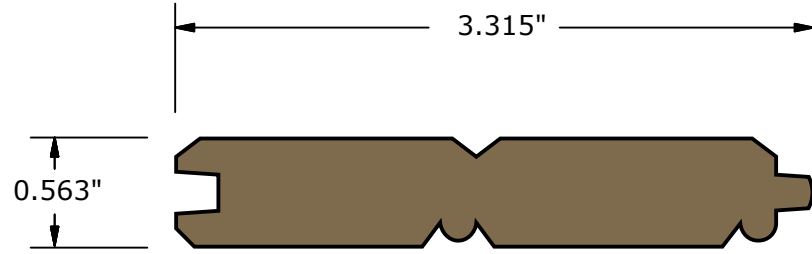
S-46-010



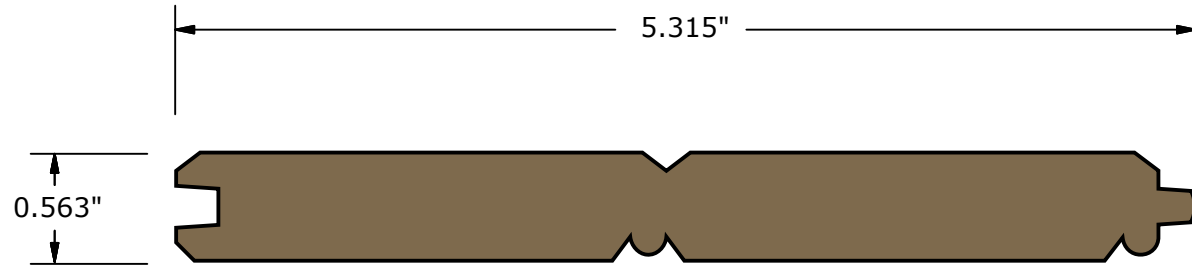
S-84-011



S-86-012



C-44-001



C-46-002

Square End Match (optional*)




* Not available on some profiles.

NOTES: UNLESS OTHERWISE SPECIFIED

- 1) MATERIAL: THERMALLY-MODIFIED HARDWOOD
- 2) FINISHED LENGTHS: 6' TO 12' AS DEVELOPS
- 3) SOUND KNOTS MAX 0.50" DIAMETER PERMITTED; NO OPEN KNOTS ON THE SOUND FACE

Walls / Ceilings (S, C)		
Code	Description	Reveal
S-XX-010	WP4	Nominal minus 0.850"
S-84-011	Deep Shadow	Nominal minus 1.250"
S-86-012	Triple Shadow	Nominal minus 0.875"
C-44-001	Beadboard Classic	Nominal minus 0.875"
C-46-002	Beadboard Plank	Nominal minus 0.875"

		TITLE	
		S/C-XX-0XX	
DRAWN: LMP	08/12/2024	SIZE	DWG NO
TOLERANCE:			REV
X.XXX (+/- .03125")	ANG (+/- 1DEG)		7
X.XX (+/- .0625")	FRAC (+/- 1/32")		
ALL DIMENSIONS IN INCHES		SHEET 1 OF 1	